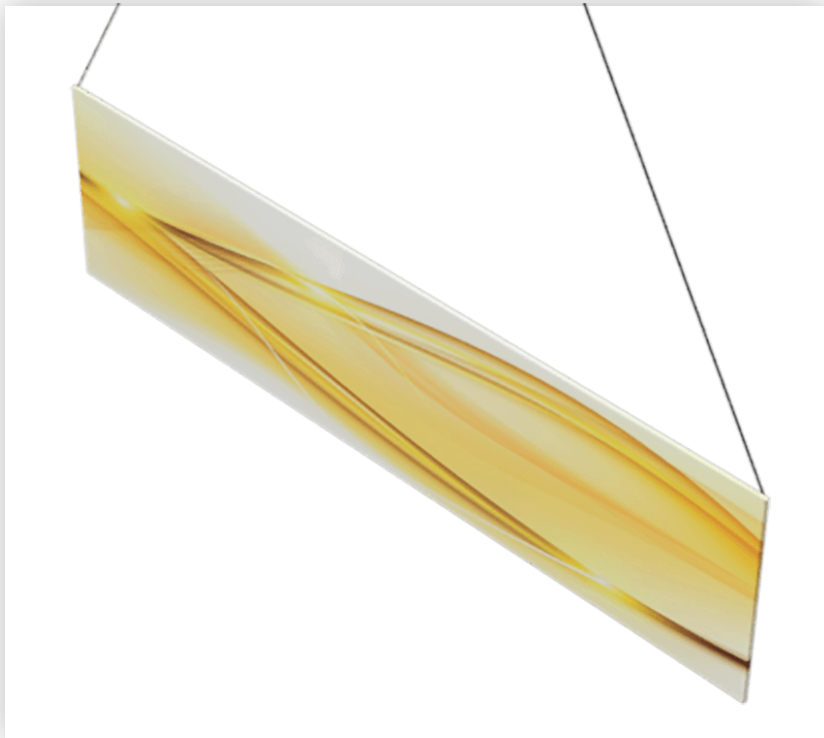
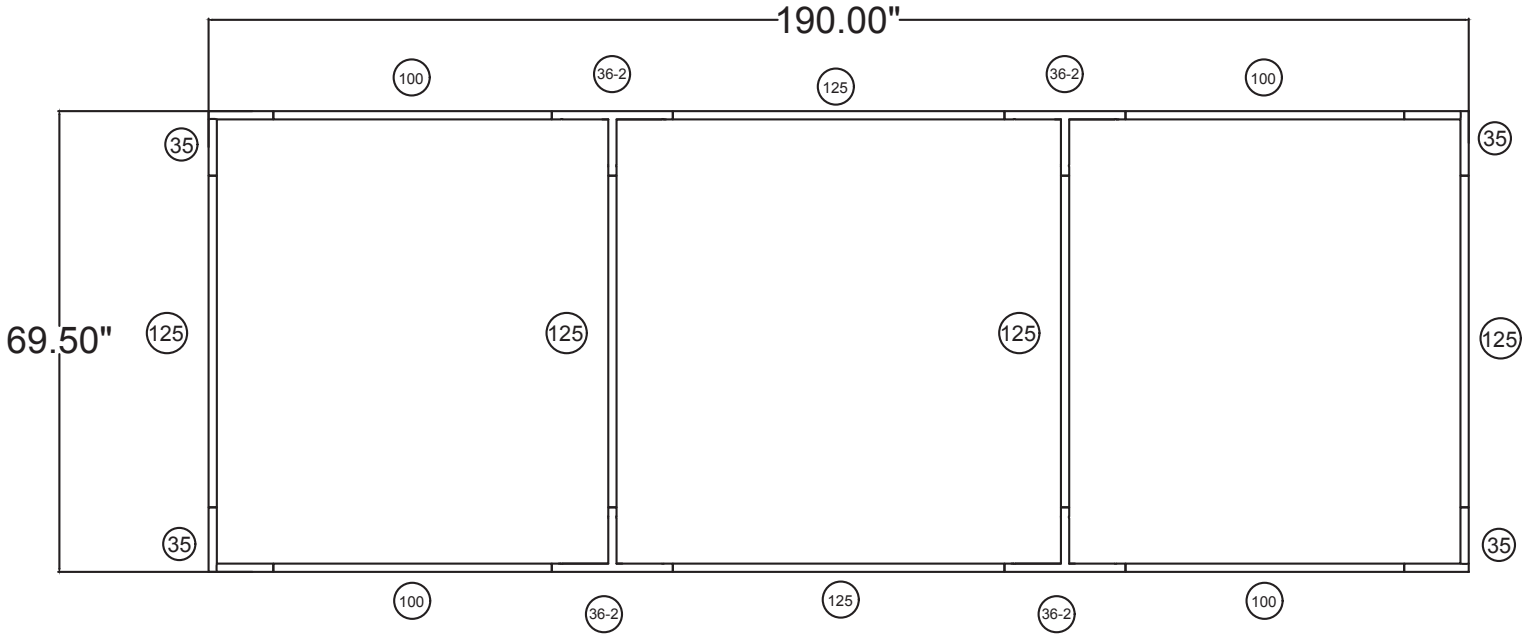




# 16'w x 6'h WL Hanging Sign



## FHS1672

16'w x 6'h WL Hanging Sign	
Qty.	Part Number
4	WLM#035
4	WLM#100
6	WLM#125
4	WLM#036-2-US
1	BGO-FABRIC-L bag

**Notes:**

- \* Does not include Hanging Cables
- \* will fit inside CA600 or CA900 case